

NOTES:

1. CONCRETE SHALL HAVE A MINIMUM ULTIMATE COMPRESSIVE STRENGTH AT 28 DAYS 2500 P.S.I. CONCRETE MAY BE PNEUMATICALLY PLACED AND SHALL CONFORM TO SECTION 2621 OF THE UNIFORM BUILDING CODE.
2. REINFORCING SHALL BE 6"x6"-W1.4xW1.4 WELDED WIRE MESH OR APPROVED EQUAL.
3. GROUND SHALL BE PRE-WETTED TO THE SATISFACTION OF THE INSPECTOR PRIOR TO PLACEMENT OF CONCRETE. MOISTURE LOSS RETARDENT SHALL BE USED WHEN REQUIRED BY THE INSPECTOR.
4. CONCRETE OR CONCRETE BLOCK DIVERTER (SPLASH) WALL TO BE CONSTRUCTED WHEN DOWNDRAIN TERMINATES AT TERRACE DRAIN. SEE PLAN FOR LOCATION DETAILS.

CITY OF MISSION VIEJO

TERRACE AND DOWN DRAINS

STANDARD  
PLAN NO.

439



*Robert Anderson*

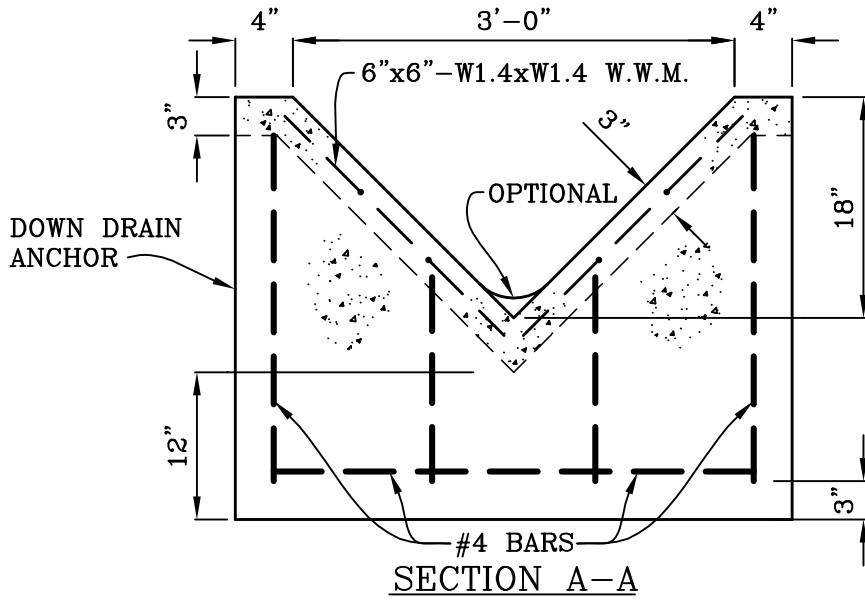
9-23-03

APPROVED

RCE 30190

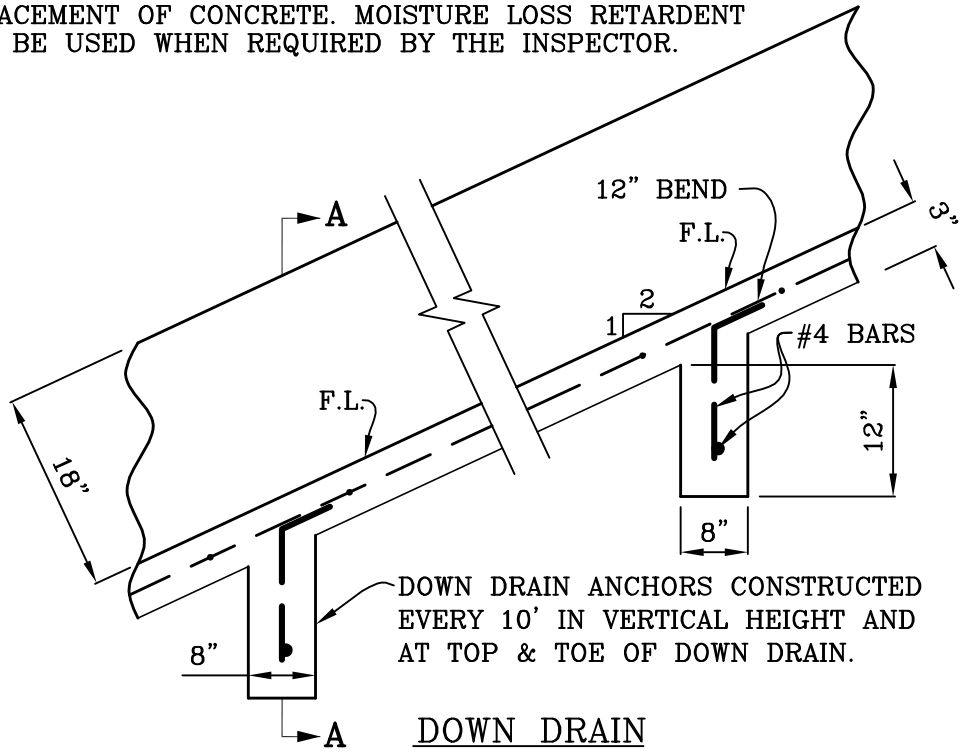
DATE

SHT 1 OF 3



NOTES:

1. CONCRETE SHALL HAVE A MINIMUM ULTIMATE COMPRESSIVE STRENGTH AT 28 DAYS OF 2500 P.S.I. CONCRETE MAY BE PNEUMATICALLY PLACED AND SHALL CONFORM TO SECTION 2621 OF THE UNIFORM BUILDING CODE.
2. REINFORCING SHALL BE 6"x6"-W1.4xW1.4 WELDED WIRE MESH OR APPROVED EQUAL.
3. GROUND SHALL BE PRE-WETTED TO THE SATISFACTION OF THE INSPECTOR PRIOR TO PLACEMENT OF CONCRETE. MOISTURE LOSS RETARDENT SHALL BE USED WHEN REQUIRED BY THE INSPECTOR.



CITY OF MISSION VIEJO

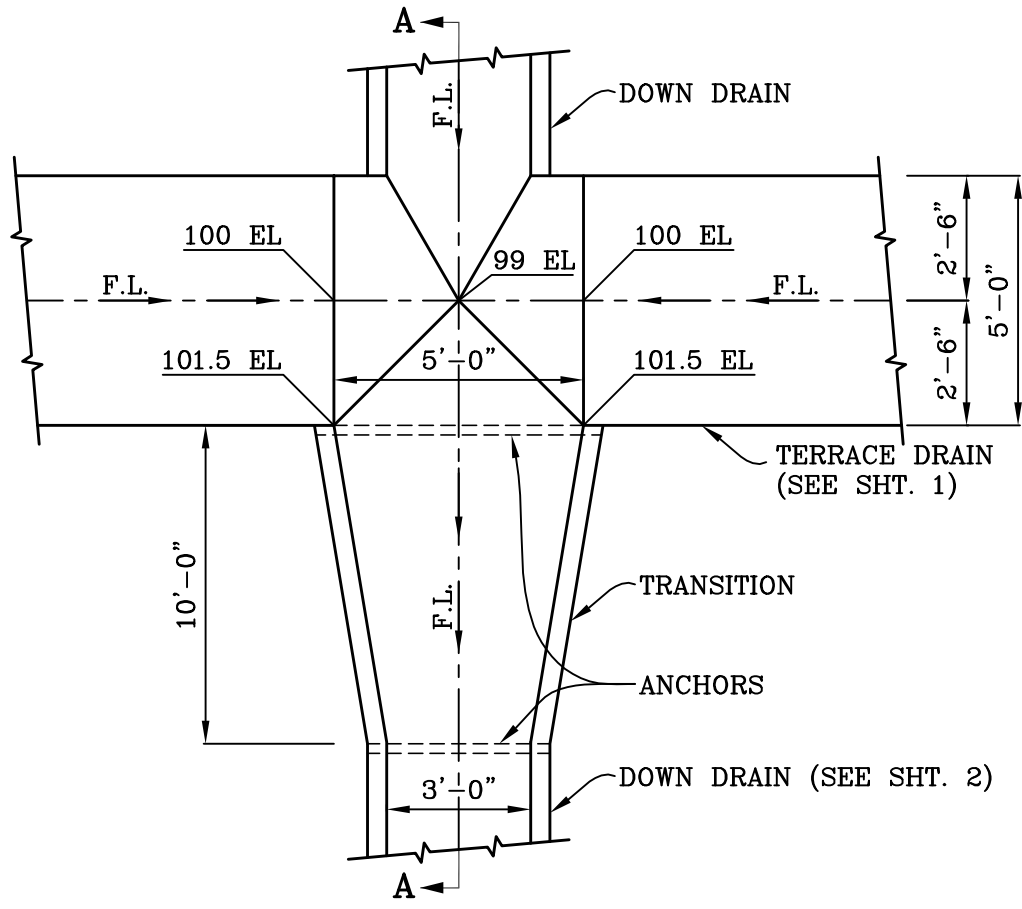


TERRACE AND DOWN DRAIN

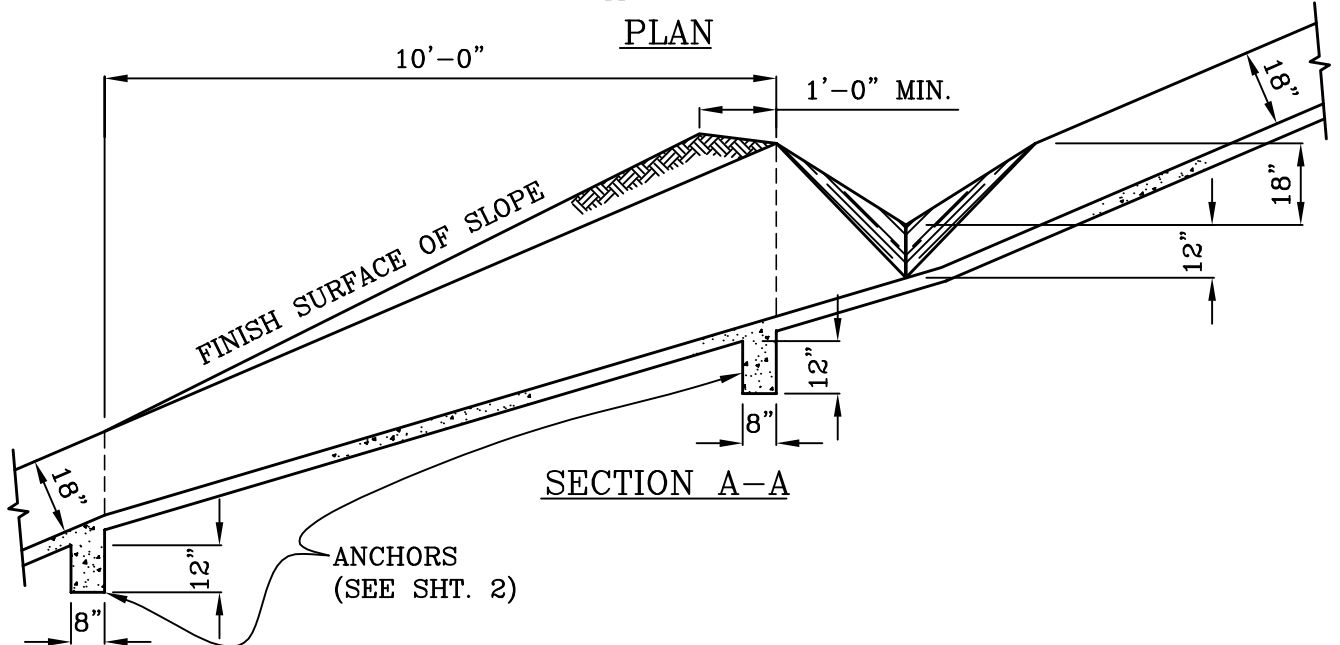
STANDARD  
PLAN NO.

439

*Robert Anderson* 9-23-03  
 APPROVED RCE 30190 DATE



PLAN



SECTION A-A

CITY OF MISSION VIEJO

TERRACE DRAIN & DOWN DRAIN INTERSECTION



*Robert Anderson* 9-23-03  
 APPROVED RCE 30190 DATE

STANDARD PLAN NO.

439

SHT 3 OF 3