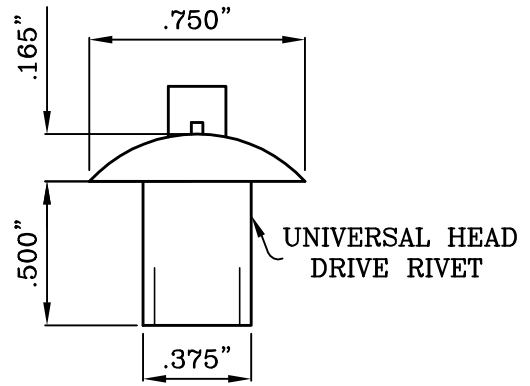
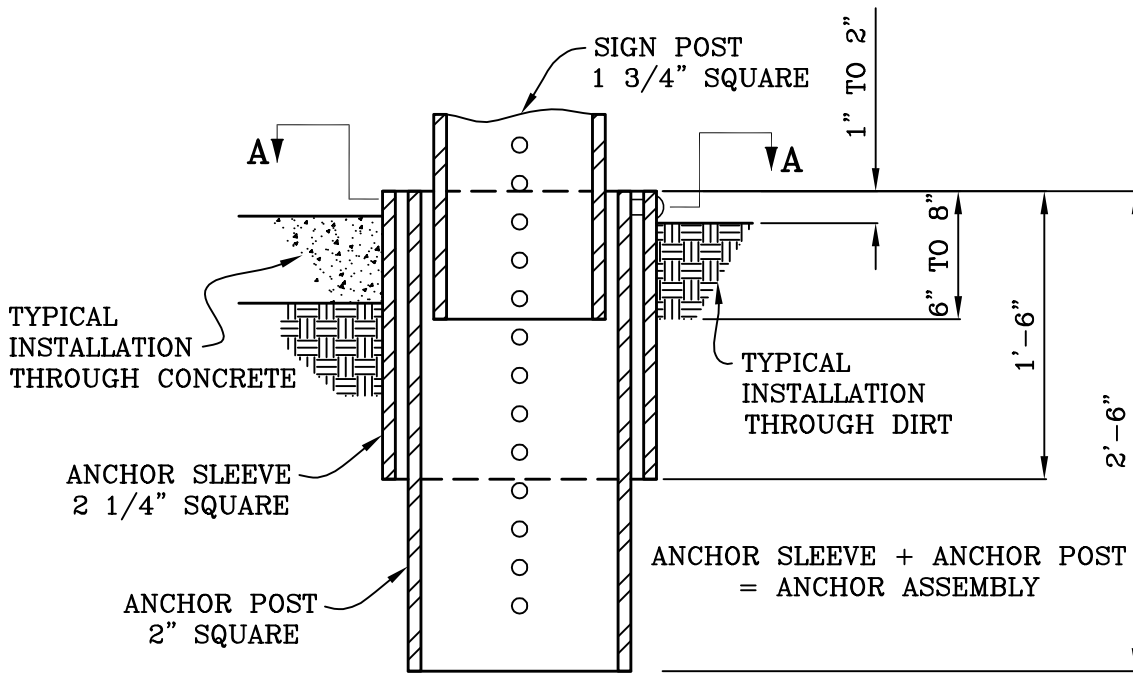


SECTION A-A



RIVET DETAIL



TYPICAL SECTION

SEE SHEET 2 FOR NOTES

CITY OF MISSION VIEJO



SIGN POST INSTALLATION

Robert Anderson

APPROVED

RCE 30190

9-23-03

DATE

STANDARD
PLAN NO.

325

SHT 1 OF 2

NOTES:

1. SQUARE PERFORATED STEEL TUBE WITH BREAK-AWAY BASE, "TELESPAR" OR EQUAL, SHALL BE USED FOR ALL TRAFFIC CONTROL AND INFORMATIONAL SIGNS.
2. THE NUMBER OF POSTS REQUIRED FOR SIGN INSTALLATION SHALL BE DETERMINED BY THE AREA OF THE SIGN OR COMBINATION OF SIGNS TO BE INSTALLED. A SINGLE POST SHALL BE USED WHERE BOTH THE LENGTH AND WIDTH ARE LESS THAN 48", WITH THE EXCEPTION OF A 48" x 48" STOP SIGN. DOUBLE POSTS SHALL BE USED WHERE EITHER THE LENGTH OR THE WIDTH EXCEEDS 48".
3. THE ANCHOR ASSEMBLY SHALL CONSIST OF A 2" SQUARE BY 2'-6" ANCHOR POST AND A 2 1/4" SQUARE BY 1'-6" ANCHOR SLEEVE.
4. THE ANCHOR ASSEMBLY, CONSISTING OF THE ANCHOR POST AND ANCHOR SLEEVE, SHALL BE DRIVEN SIMULTANEOUSLY UNTIL ONLY 1" TO 2" REMAINS ABOVE GROUND LEVEL. THE TOPS OF BOTH PIECES SHALL BE FLUSH.
5. ALL DIRT SHALL BE REMOVED FROM THE INSIDE TOP 8" OF THE ANCHOR ASSEMBLY TO ALLOW FOR INSTALLATION OF THE SIGN POST.
6. INSTALL THE 1 3/4" SQUARE SIGN POST 6" TO 8" INTO THE ANCHOR ASSEMBLY AND SECURE IN PLACE WITH TWO 5/16" UNIVERSAL HEAD DRIVE RIVETS AS SHOWN. THE RIVETS SHALL BE INSTALLED ON THE SIDE OPPOSITE TRAFFIC FLOW AND THE SIDE AWAY FROM TRAFFIC AS SHOWN IN ORDER TO ACHIEVE THE MAXIMUM BREAK-AWAY EFFECT.
7. INSTALLATION ACCORDING TO THESE REQUIREMENTS IS ESSENTIAL TO MAINTAIN THE BREAK-AWAY CHARACTERISTICS OF THE POST SYSTEM. UNDER NO CIRCUMSTANCES SHALL THE ANCHOR ASSEMBLY BE SECURED IN CONCRETE FOOTING.
8. LOCATION AND HEIGHT OF SIGN SHALL CONFORM TO STANDARD PLANS 324, 328, AND CALTRANS SIGN REQUIREMENTS.

CITY OF MISSION VIEJO



SIGN POST INSTALLATION

STANDARD
PLAN NO.

325

Robert Anderson 9-23-03
APPROVED RCE 30190 DATE

SHT 2 OF 2