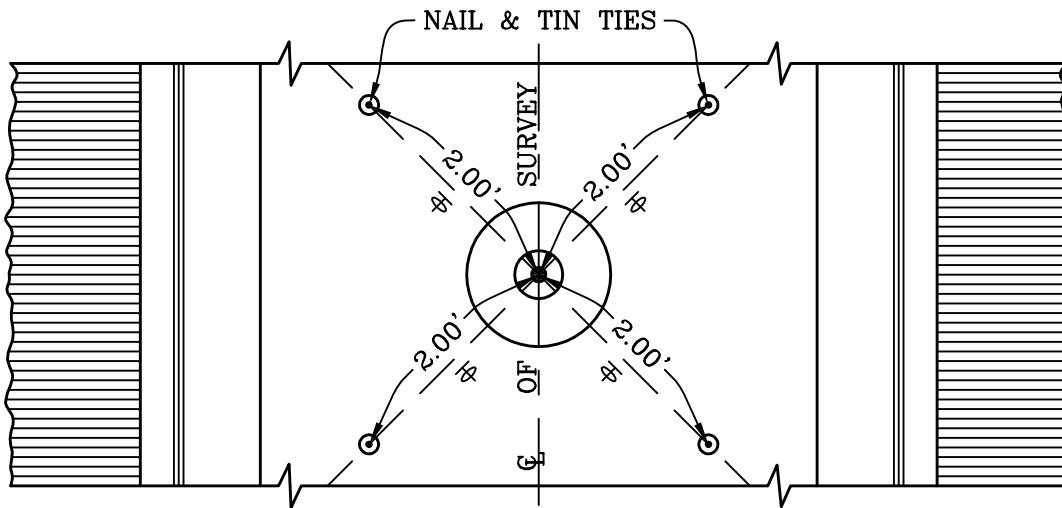
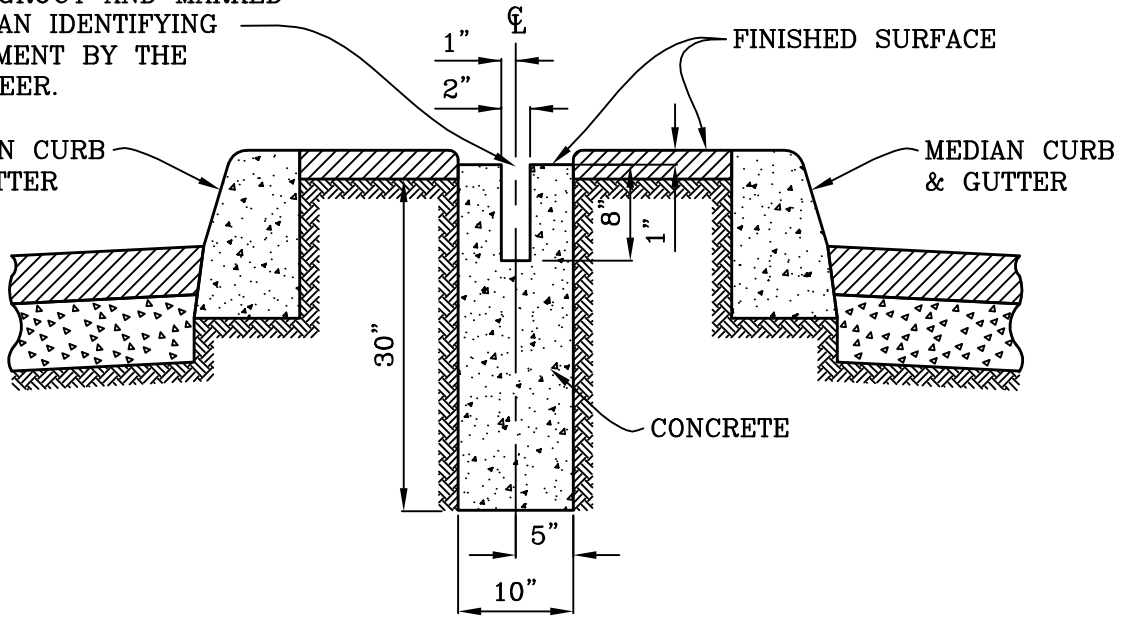


HOLE WILL BE FILLED WITH GROUT AND MARKED WITH AN IDENTIFYING MONUMENT BY THE ENGINEER.

MEDIAN CURB & GUTTER



THIS TYPE OF MARKER TO BE INSTALLED ONLY IN SITUATIONS WHERE NO VEHICULAR TRAFFIC IS ANTICIPATED.

CITY OF MISSION VIEJO

SURVEY MONUMENT (TYPE B)



APPROVED

Robert Anderson

RCE 30190

9-23-03

DATE

STANDARD
PLAN NO.

342

SHT 1 OF 1