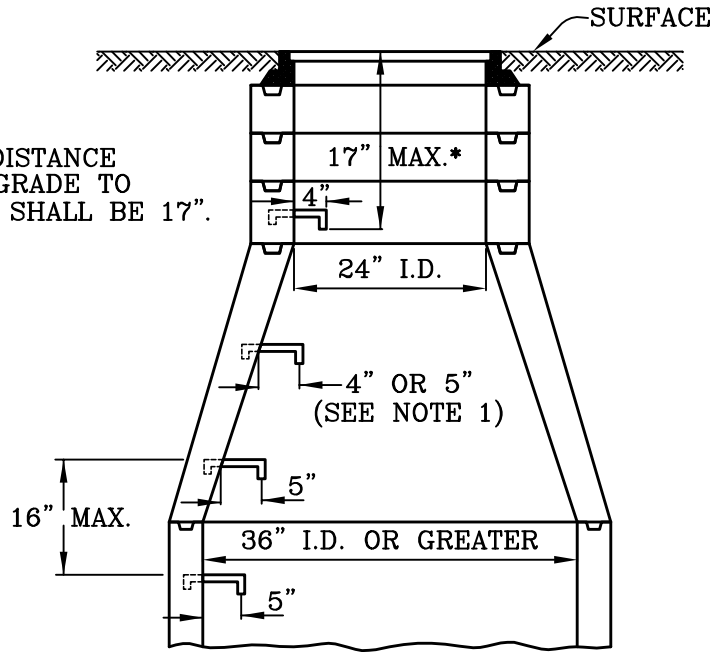
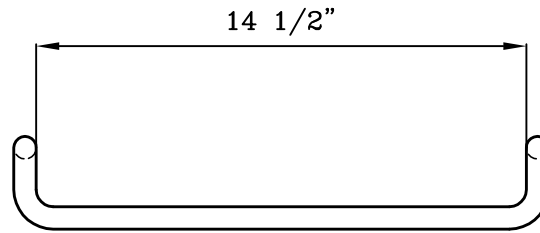
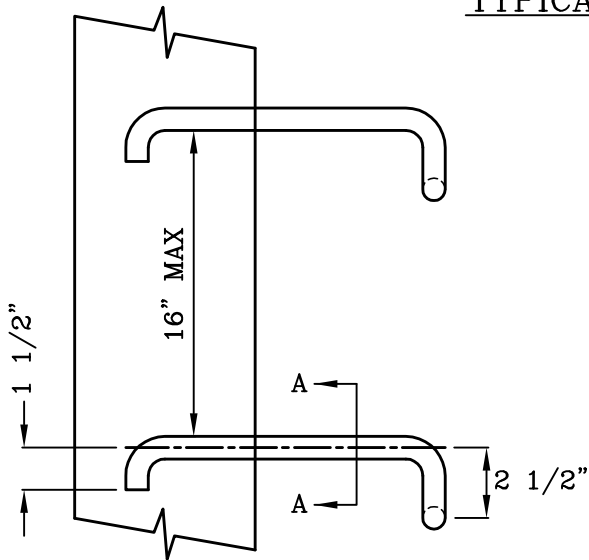


*THE MAXIMUM DISTANCE FROM SURFACE GRADE TO THE FIRST STEP SHALL BE 17".



TYPICAL MANHOLE



SECTION A-A

NOTES:

1. SEE STD. PLANS 416 AND 417 FOR MANHOLE STEP SPACING AND PLACEMENT.
2. MATERIAL SHALL BE 3/4" OF STEEL CONFORMING TO A.S.T.M. A575, A576, OR A615, GALVANIZED AFTER FABRICATION IN ACCORDANCE WITH A.S.T.M. A123.
3. STEPS SHALL HAVE A MINIMUM 3 INCH OF EMBEDMENT. PROJECTION FROM POINT OF POINT OF EMBEDMENT AS SHOWN ON STD PLAN 416, 417, 418 AND 419.

CITY OF MISSION VIEJO



MANHOLE STEPS

STANDARD
PLAN NO.

422

Robert Anderson

9-23-03

APPROVED

RCE 30190

DATE

SHT 1 OF 1