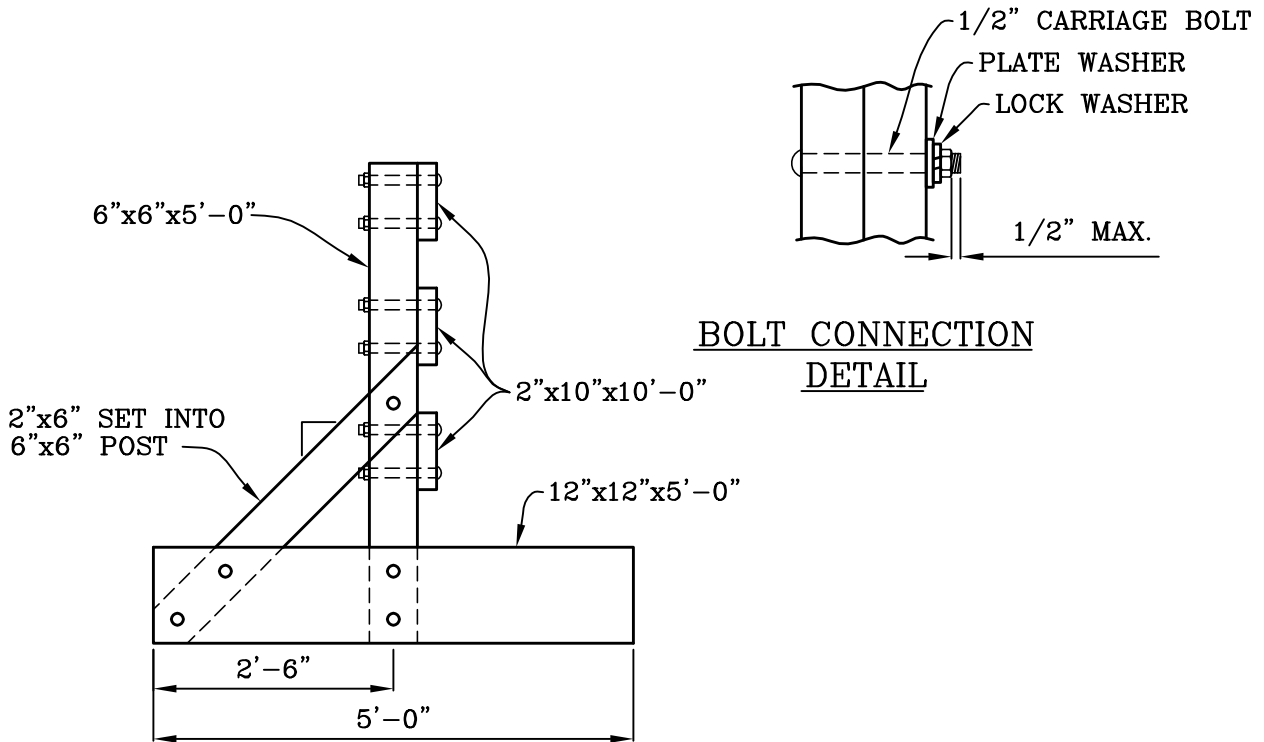


FRONT VIEW



BOLT CONNECTION
DETAIL

END VIEW

CITY OF MISSION VIEJO

TIMBER BARRICADE (TYPE III)

STANDARD
PLAN NO.

504



Robert Anderson

9-23-03

APPROVED

RCE 30190

DATE

SHT 1 OF 2

TYPE III BARRICADES SHALL BE USED AS DIRECTED BY THE CITY ENGINEER FOR SPECIAL TRAFFIC CONTROL APPLICATIONS. BARRICADES SHALL BE SECURED WITH CHAINS AS DIRECTED BY THE CITY ENGINEER.

LUMBER:

ALL LUMBER SHALL BE KILN DRIED DOUGLAS FIR, CONSTRUCTION GRADE OR BETTER. S4S.

CONNECTIONS:

ALL CONNECTIONS SHALL BE BOLTED AS SHOWN ON PLAN AND BOLT CONNECTION DETAIL. ALL BOLTS, WASHERS AND NUTS SHALL BE HOT DIPPED GALVANIZED.

PAINTING:

ALL WOOD SURFACES SHALL BE PAINTED WITH ONE COAT OF WOOD PRIMER. WOOD PRIMER SHALL COMPLY IN ALL RESPECTS WITH FEDERAL SPECIFICATIONS TT-P-0025D, EXCEPT THAT IT SHALL DRY HARD IN NOT MORE THAN 12 HOURS. SUBSEQUENT TO APPLICATION OF WOOD PRIMER, ALL WOOD SURFACES, EXCEPT RAIL SURFACES TO BE REFLECTORIZED, WILL BE PAINTED WITH ONE COAT OF LATEX-BASE WHITE PAINT. PAINT SHALL COMPLY IN ALL RESPECTS WITH FEDERAL SPECIFICATION TT-P-0096B.

REFLECTORIZED RAILS:

THE ENTIRE FRONT FACE OF ALL 2"x10"x10'-0" (3 EA.) RAILS SHALL BE COVERED WITH A REFLECTORIZED SHEETING MATERIAL HAVING ALTERNATING 6" WIDE ORANGE AND WHITE STRIPES SLOPING DOWNWARD TO THE LEFT AT 45°. REFLECTIVE SHEETING SHALL BE APPLIED TO THE WOOD RAIL SURFACE IN ACCORDANCE WITH MANUFACTURER'S RECOMMENDATIONS, AND SHALL NOT CHIP, PEEL, OR CRACK, AND SHALL MAINTAIN THE SPECIFIED MINIMUM REFLECTANCE VALUES WHEN EXPOSED TO EXTERNAL USE FOR A PERIOD OF 3 YEARS. REFLECTIVE SHEETING SHALL MEET THE FOLLOWING MINIMUM DRY REFLECTANCE VALUES AT 0.2 AND 0.5 DEGREE DIVERGENCE EXPRESSED IN UNITS OF CANDLEPOWER PER FOOT CANDLE PER SQUARE FOOT, AS MEASURED AT A DISTANCE OF 50 FEET FROM THE LIGHT SOURCE. THE WET REFLECTANCE VALUES SHALL BE A MINIMUM OF 90 PERCENT OF THE DRY VALUES.

DRY REFLECTIVE VALUES

DIVERGENCE ANGLE (DEGREE)	INCIDENCE ANGLE (DEGREE)	WHITE	ORANGE
0.2	-4	50.0	13.0
0.2	30	12.0	4.0
0.5	-4	15.0	6.5
0.5	30	6.0	2.5

CERTIFICATES OF COMPLIANCE:

SUPPLIER SHALL FURNISH CERTIFICATES OF COMPLIANCE SPECIFICATIONS FOR LUMBER, PAINT, AND REFLECTIVE SHEETING AS REQUIRED BY THE CITY ENGINEER.

CITY OF MISSION VIEJO



TIMBER BARRICADE (TYPE III)

Robert Anderson

9-23-03

APPROVED

RCE 30190

DATE

STANDARD
PLAN NO.

504

SHT 2 OF 2